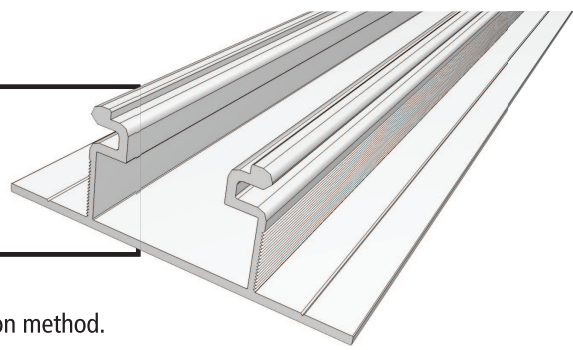


Installation Guide

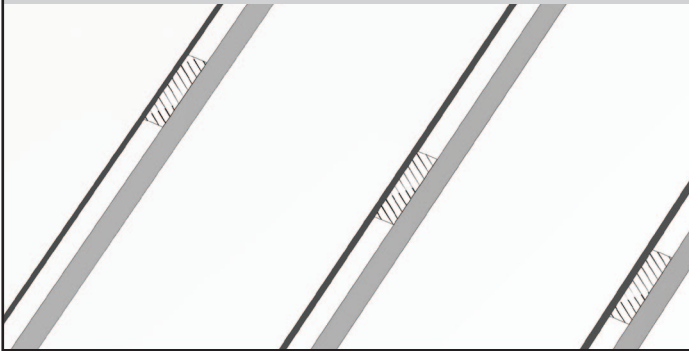
REDtip SwiftRail™ Stitching Method



Stitching Method. A full Structural Survey is required to determine the a suitable installation method. This manual details the Stitching Method.

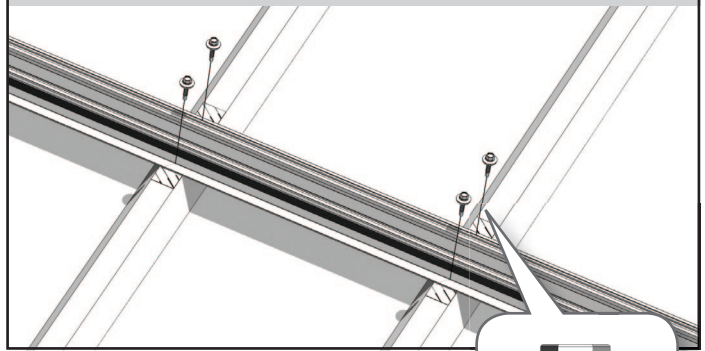
1

Mark out the position of the SwiftRail horizontally across the roof. To provide a watertight seal, cut the sealing strip* into 85mm lengths & position on the 'crowns' of the roof profile. Place the rail on the sealing strips.



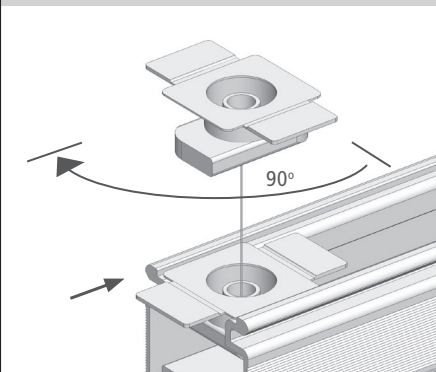
2

A suitable tec screw should be selected. Screw through the SwiftRail into the steel sheet below. Repeat top and bottom on every 'crown'. Do not over tighten the tec screws as this will cause the threads to strip.



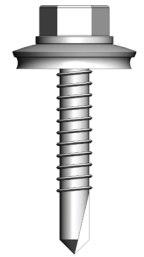
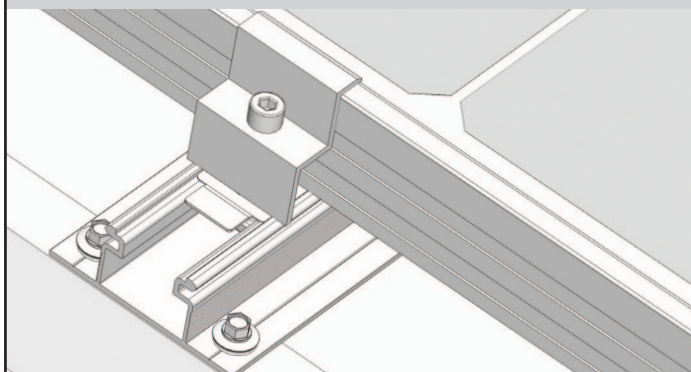
3

Insert and turn channel nut through 90° to lock in the channel, then slide channel nut into the precise position required.



4

Hand tighten the bolt with a 6mm Allen key to firmly secure the module in place (Nominal 8Nm). Ensure that the clamp fits over the module and the channel nut remains locked in position during tightening.

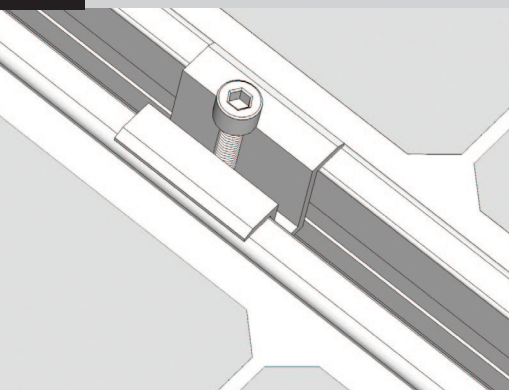


*Butyl mastic or similar recommended alternative.

**Check with the roof manufacturer that the sealing strip or mastic is approved for use.

5

Repeat instruction 3-4 for fixing mid clamp.



6

An expansion gap of 10mm should be allowed between rail lengths.

